



ProFlow Inc

A Division of Burt Process Equipment

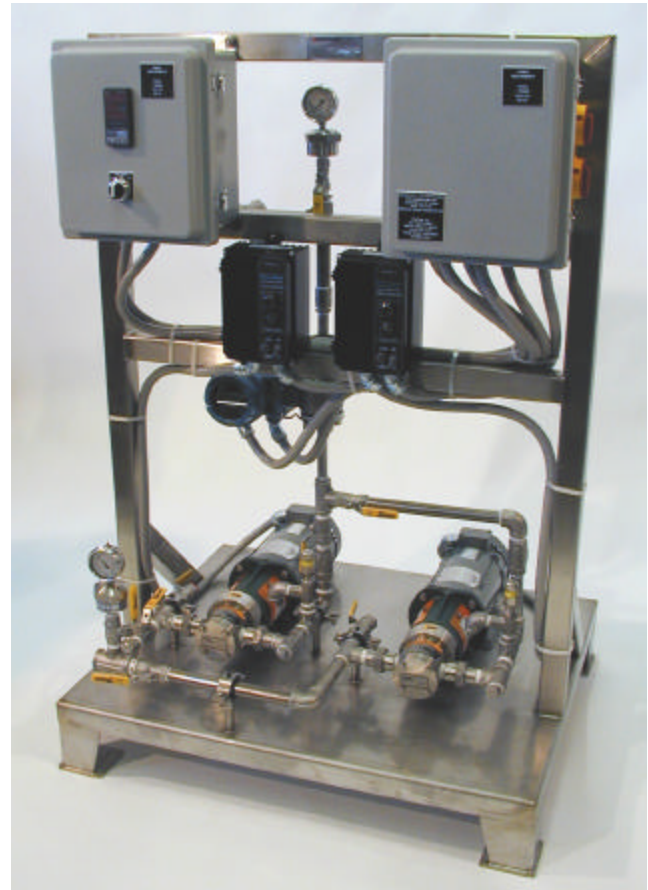
ProFlow - DMS Series Duplex Metering Pump Skid

Affordable

Reliable

Available

- Duplex Pump Skid
- Excellent for Viscous non Abrasive Products
- Sizes ranging from 1 GPM up to 30 GPM
- Discharge pressures to 300 PSIG
- Viscosities to 100,000+ CPS
- Close coupled pumps (up to 20 GPM) – no coupling alignment required
- Variable Speed Drives
- NEMA 4 Enclosures
- Compact design
- Stainless Steel frame
- Stainless Steel piping
- (1) Magnetic Flow Meters
- Pre-piped - Pre-wired, ready to operate
- Pressure Relief Valves for each pump
- Options available:
 - Water dilution system
 - PID controllers
 - Calibration Columns
 - Electrical Disconnect
- A full range of accessories are available
 - Tanks
 - Agitators
 - Filters



The ProFlow DMS Series Duplex metering pump skids are a cost effective alternative to expensive on-site pump installations. These compact, reliable skids offer precise metering of viscous/non-abrasive fluids. With pressure capabilities up to 300 PSIG, they fit most polymer metering applications.

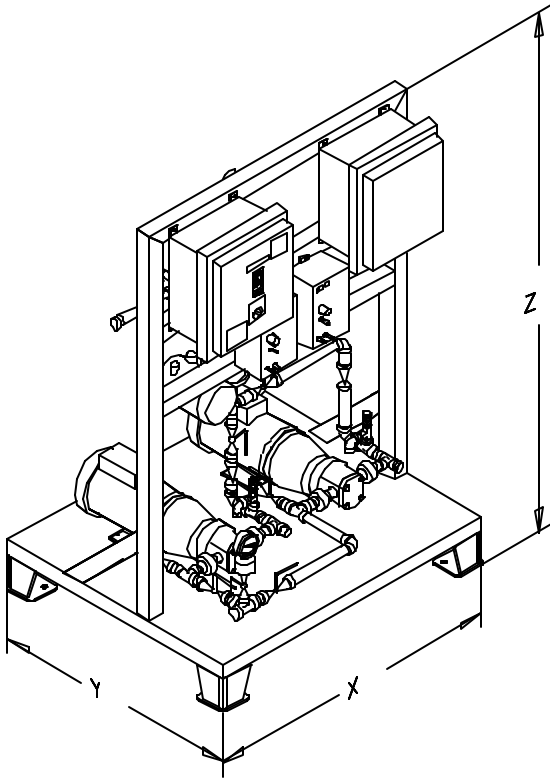
Contact ProFlow for all of your polymer equipment needs!

DMS Series Specifications

Model	Flow Rate	Suction Connection	Discharge Connection	Power Requirements	X	Y	Z	Approx Weight
DMS-2	2 GPM	1" FNPT	½ FNPT	115 VAC ^{1,2}	56"	36"	42"	200 lbs.
DMS-5	5 GPM	1" FNPT	¾ FNPT	115 VAC ^{1,2}	56"	36"	42"	200 lbs.
DMS-10	10 GPM	1-½" FNPT	1" FNPT	460 VAC ²	72"	42"	60"	300 lbs.
DMS-20	20 GPM	2" FNPT	1" FNPT	460 VAC ²	72"	42"	60"	400 lbs.
DMS-30	30 GPM	2" FNPT	1-½ FNPT	460 VAC ²	76"	48"	60"	450 lbs.

Note 1: Available in 460 VAC as an option

Note 2: Available in 575 VAC as an option



Shown w/ optional disconnect switch and PID control boxes

ProFlow Inc
 P.O. Box 748
 303 State Street
 North Haven, CT 06473
 (203) 230-4700
 Fax (203) 281-6036
 sales@proflow-inc.com
 www.proflow-inc.com

© 2003 ProFlow Inc
 Information subject to change (Rev 3)