



Pol-E-Duc – Dry Powder Systems

AFB Series

Reliable

Clean

Dust Free

- Rugged Design
- Uniform Consistent Output
- Up to 10,000 + Lb/Day Capacity
- NEMA 4 Enclosure
- Compact design
- PLC Controlled
- Stainless Steel frame
- Stainless Steel piping
- Pre-piped - Pre-wired, ready to operate
- Options available:
 - Analog Inputs for Level Control
 - Bulkbag adaptors
 - Bulkbag frame, hoist and spreader bars
- A full range of accessories are available
 - Mix & Feed Tanks
 - Agitators
 - Transfer Pumps
 - Filters
 - Feed Pump Skids



The Pol-E-Duc AFB Series powder makedown systems are a cost effective, efficient dry makedown system. From our unique PowerDown eductors, to full state-of-the-art PLC controls, the system is engineered to be the benchmark for reliability and trouble free performance.

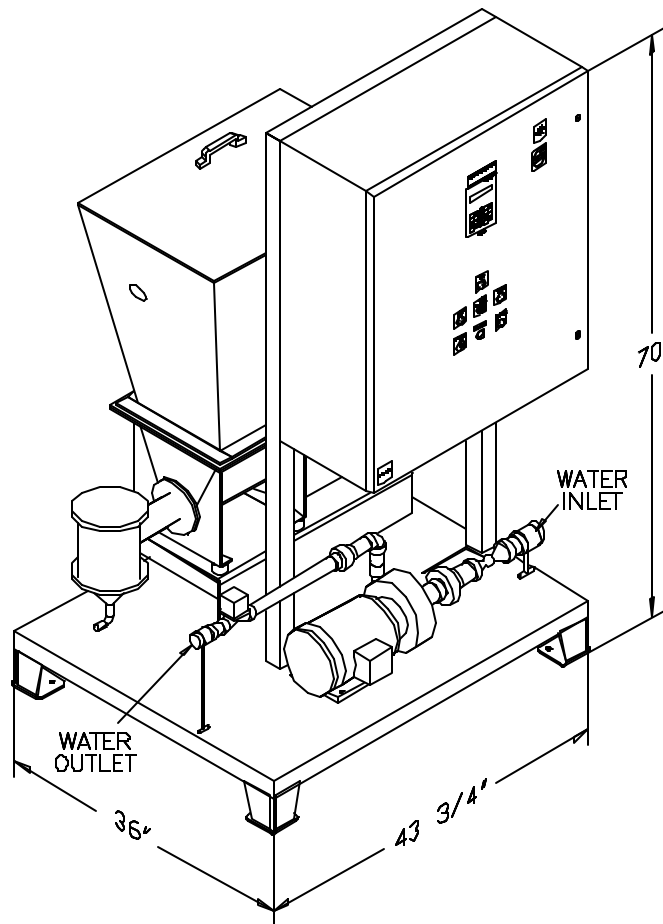
Contact ProFlow for all of your polymer equipment needs!

AFB Series Specifications

Model	Flow Rate	Suction Connection	Discharge Connection	Power Requirements	X	Y	Z	Approx Weight ²
AFB-S	35 GPM	1" FNPT	1" FNPT	460 VAC ¹	56"	36"	42"	350 lbs.
AFB-L	65 GPM	1 1/2" FNPT	1 1/2" FNPT	460 VAC ¹	56"	36"	42"	350 lbs.

Note 1: Available in 575 VAC as an option

Note 2: Feeder skid only, does not include bulk bag frame, mix tank and other accessories



ProFlow Inc
 P.O. Box 748
 303 State Street
 North Haven, CT 06473
 (203) 230-4700
 Fax (203) 281-6036
 sales@proflow-inc.com
 www.proflow-inc.com

© 2003 ProFlow Inc
 Information subject to change (Rev 3)